

**Code:** Custom

**Description:**BS2F 2 MGP 405

**Pump data:**

**H max (m):** 50.00

**H min (m):** 19.00

**Q min (mc/h):** 2.25

**Q max (mc/h):** 7.20

**N. of impeller** 5

**Weight (kg):** 15,75

**Motor data:**

**n (rpm):** 2900

**Pn (kW):** 1.10

**Pn (HP):** 1.50

**Motor type:** IM

**Motor phases:** 3~

**Un (V):** 230/400

**fn (Hz):** 50

**Motor poles:** 2

**In (A):** 4.5 / 2.6

**Insulation class:** F

**Service:** S1

**Efficiency Index (EI):** IE3-82.7

**Ingress protection:** IP 54

**Construction materials:****Pump Casing:** Cast iron GJL 200 EN 1561**Casing Cover:** Cr-Ni steel 1.4301 EN 10088 (AISI 304)**Stage Casing::** Noryl PPO-GF20**Impeller::** Noryl PPO-GF20**Shaft:** Cr-Ni steel 1.4301 EN 10088 (AISI 304)**Mechanical Seal:** Carbon-Ceramic-NBR**BOOSTER SET CONSTRUCTION MATERIAL****Baseplate:** Zinc-plated Steel S235JR**Anti-Vibration Feet:** Rubber NBR (nitrile butadiene rubber)**Manifolds:** Cr-Ni steel 1.4301 EN 10088 (AISI 304)**Gaskets:** Rubber NBR (nitrile butadiene rubber)**Pressure Gauge:** Brass**Fittings:** Zinc-Plated Steel

Brass

**Shut-off Valves:** Nickel-plated Brass

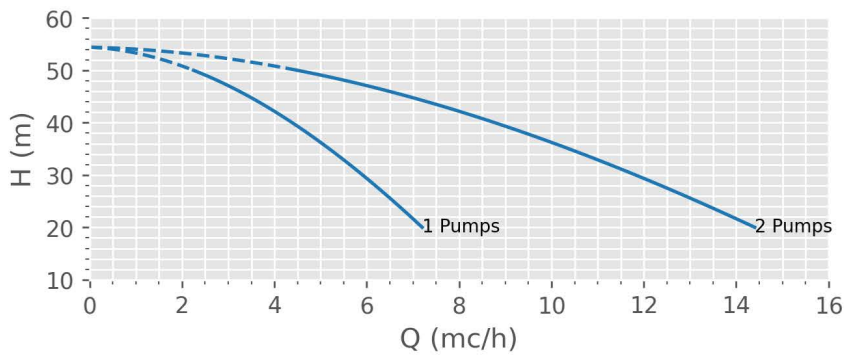
PTFE (Polytetrafluoroethylene)

**Non-Return Valves:** Rubber NBR (nitrile butadiene rubber)

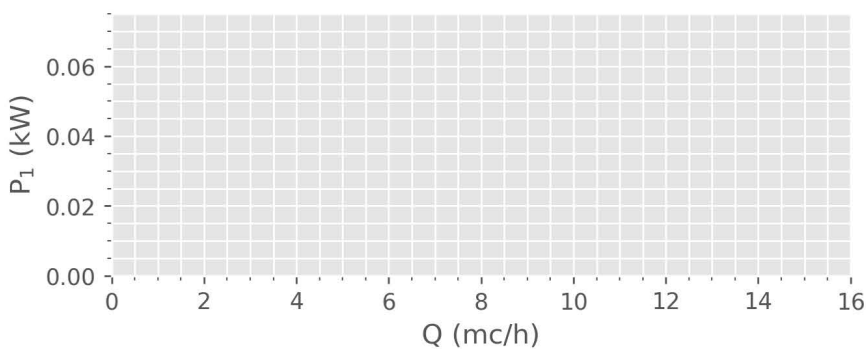
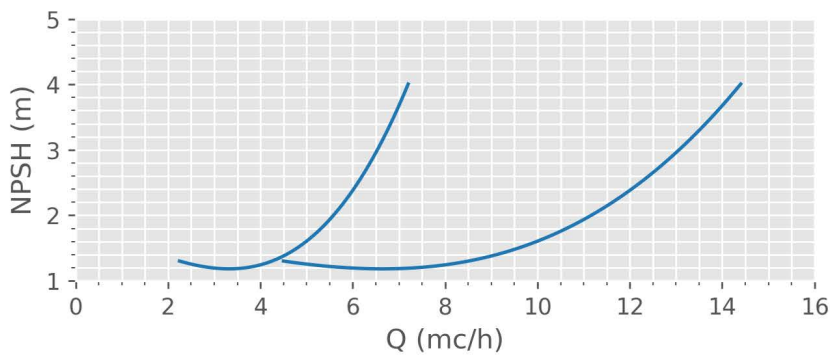
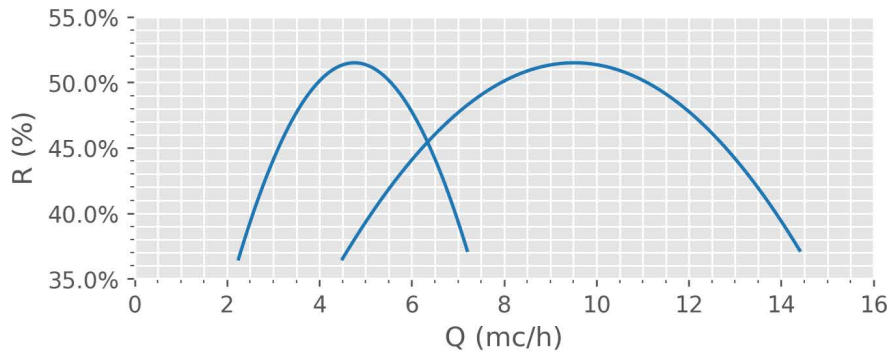
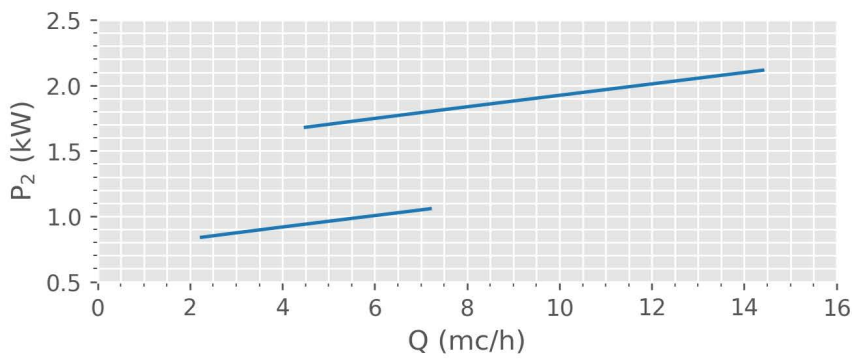
Nickel-plated Brass

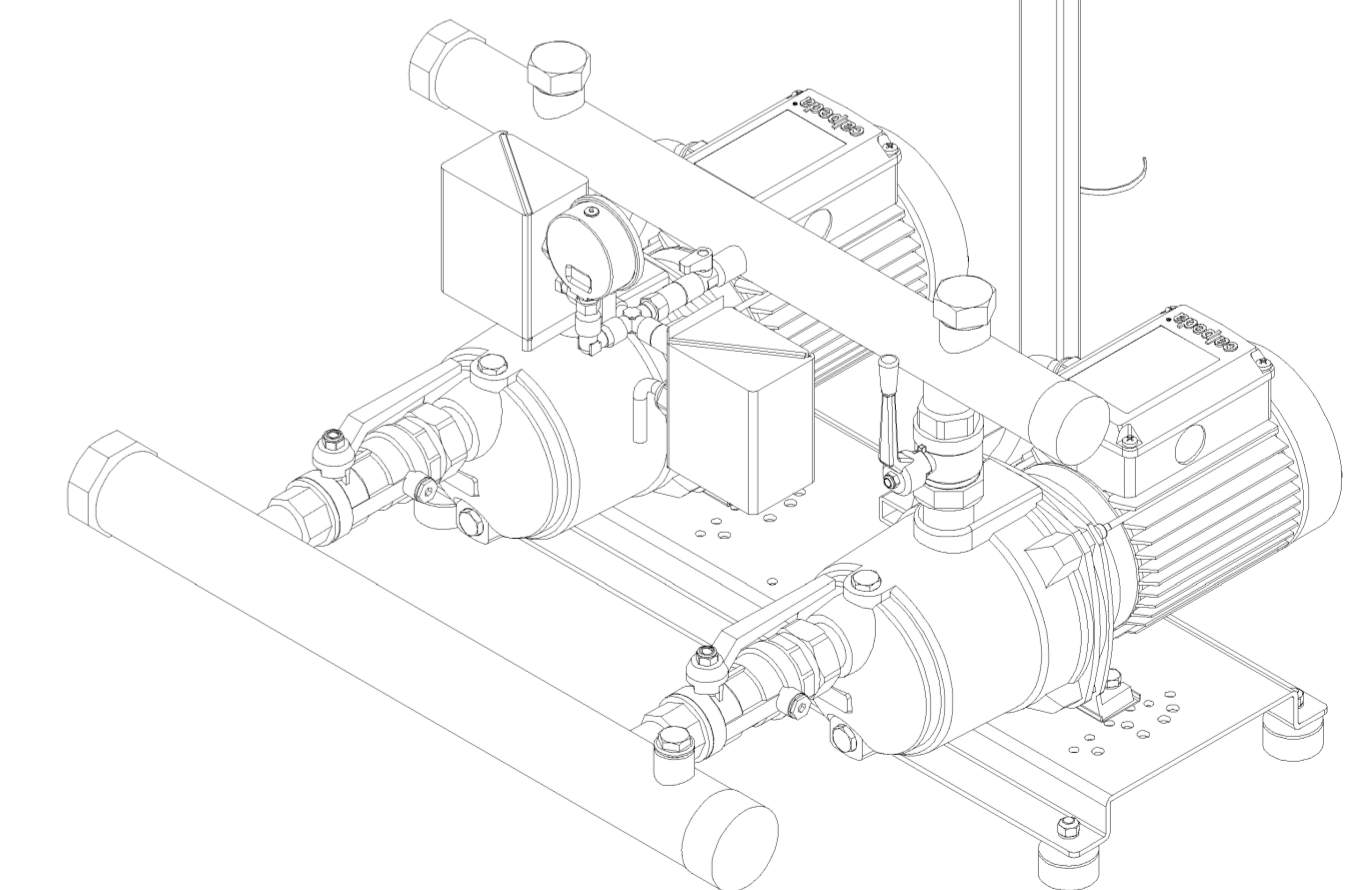
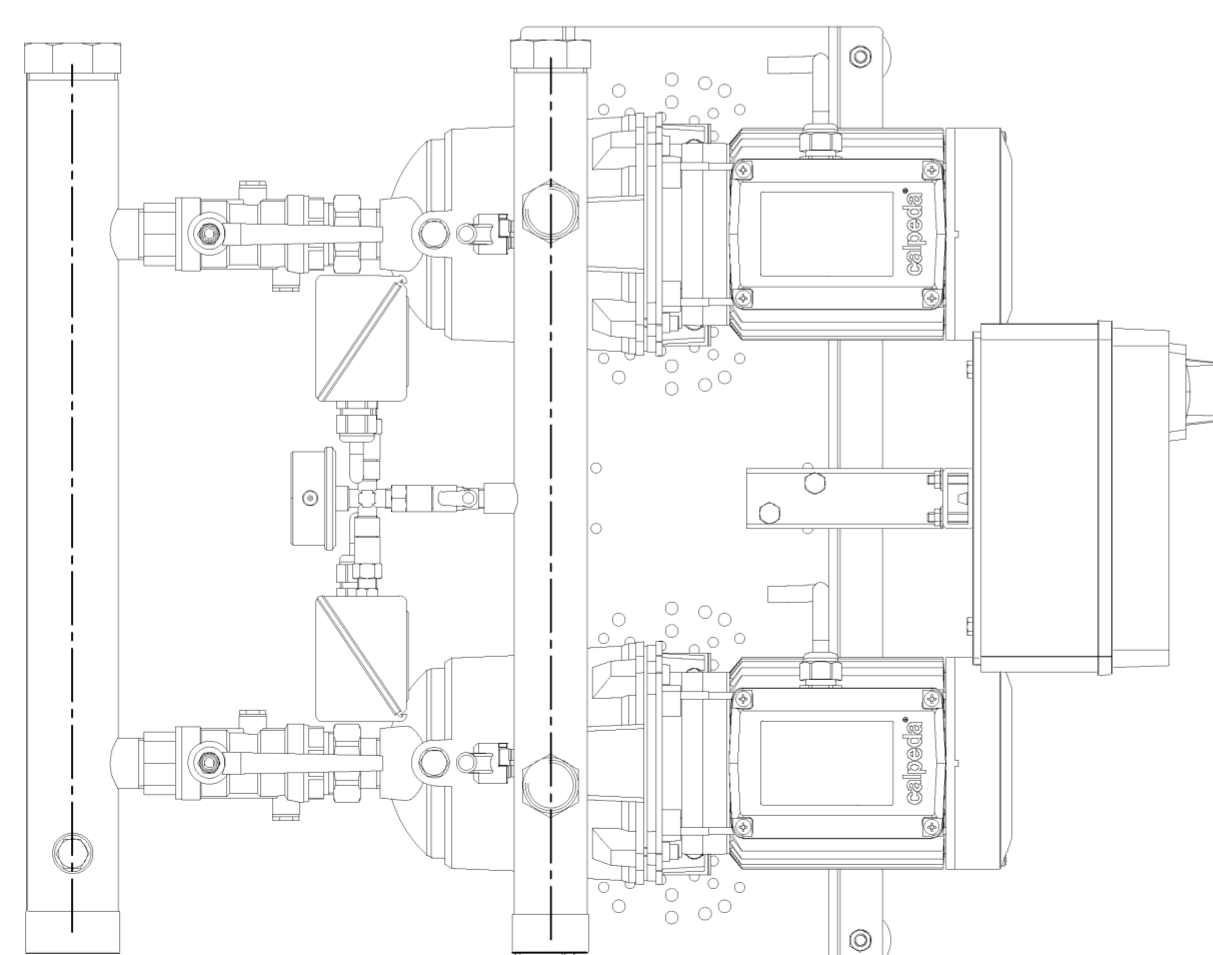
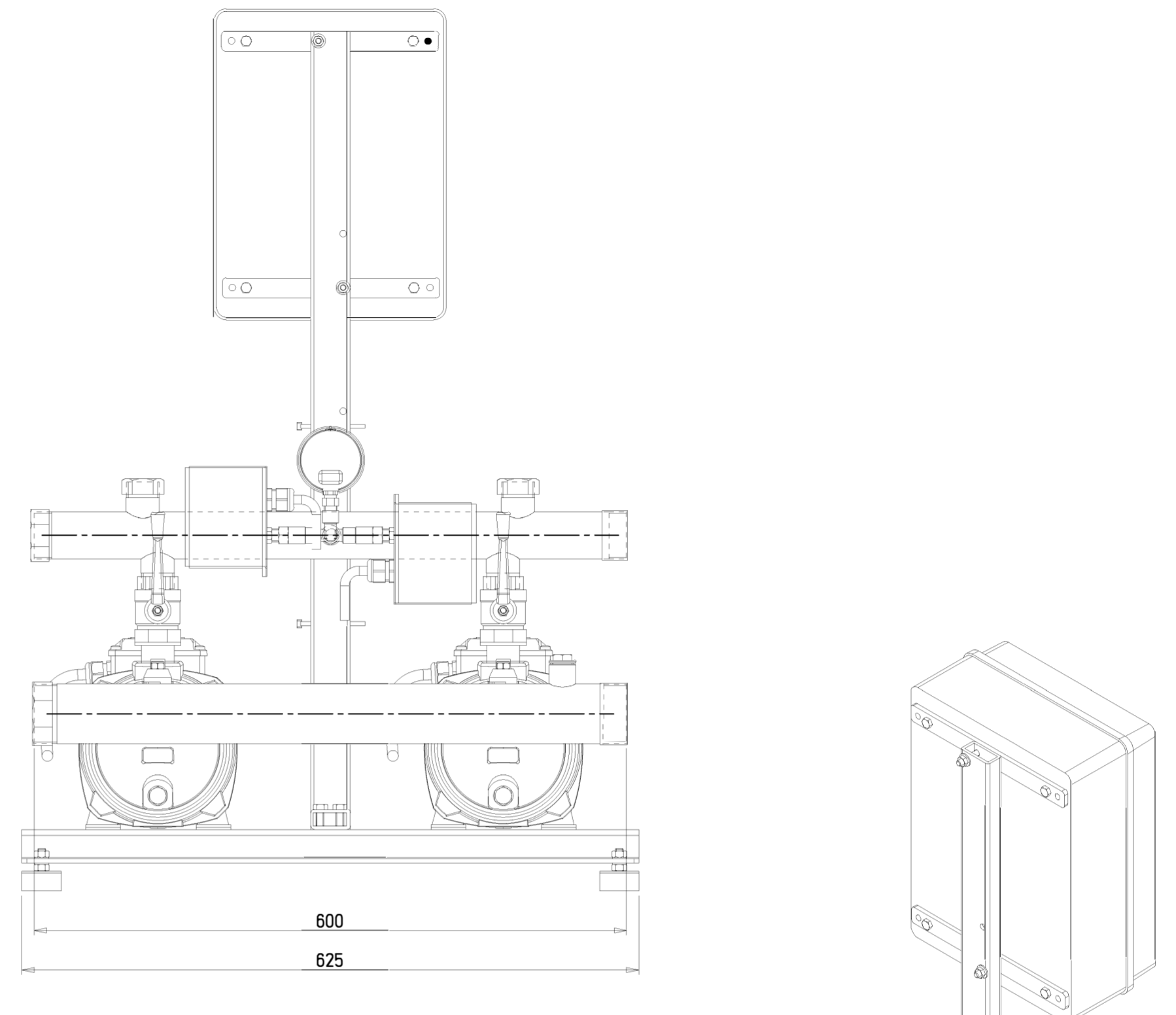
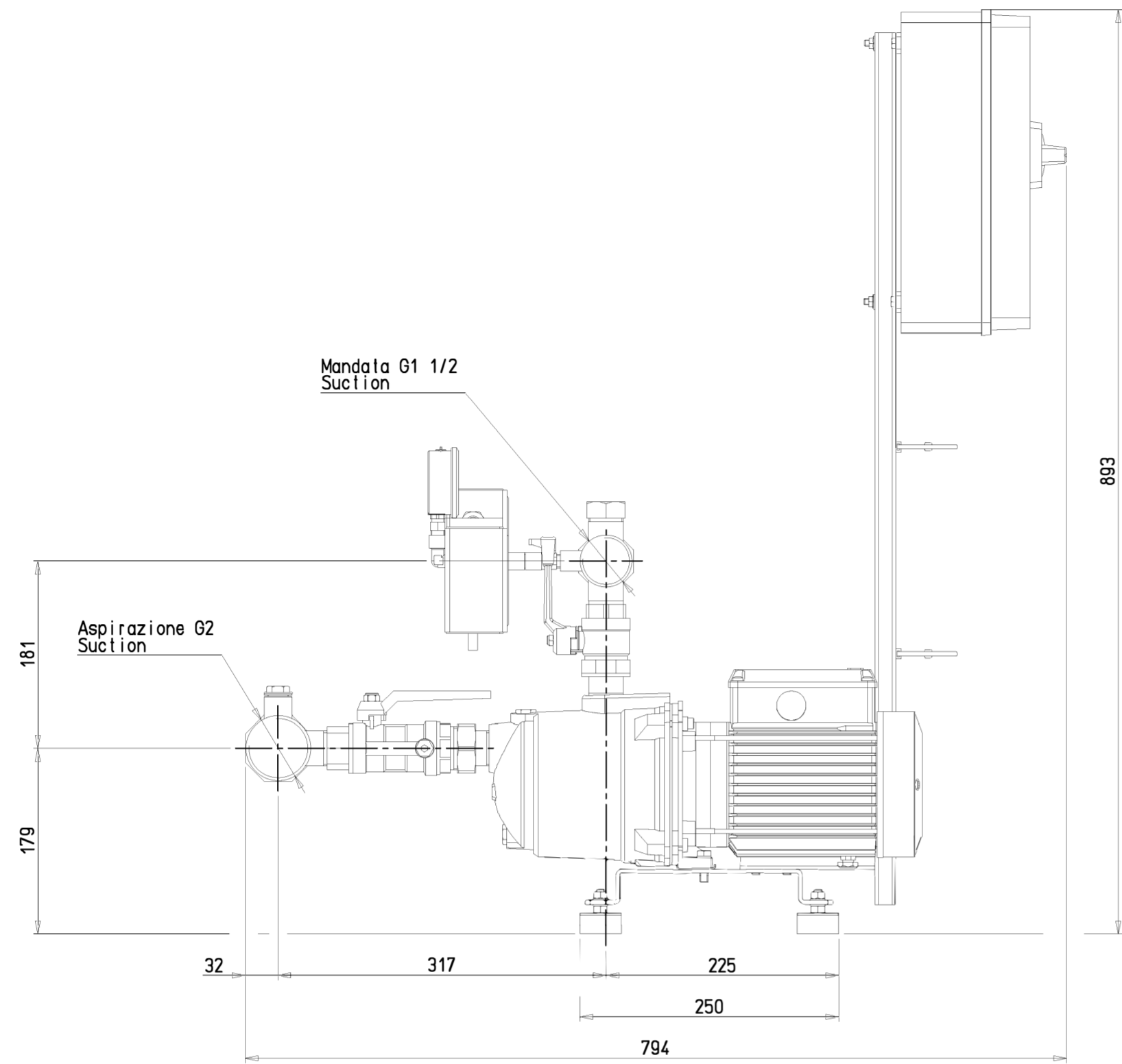
PTFE (Polytetrafluoroethylene)

**Booster set data****Number of pumps:** 2**Fixed speed / variable speed:** Fixed



MGP|50|2|4|105|5|0-105





<b>GRUPPO TIPO</b> <b>PLANT TYPE</b> BS2F 2 MGP 405				Materiale . . .	
<b>DIMENSIONI D'INGOMBRO</b> <b>DIMENSIONS</b>				Trattamenti . . .	
<b>calpeda</b>				Spessore . . .	
				Densità . . .	
Codice 82002410000		Modello Stampo . . .		Peso grezzo Kg . . .	
Primi campioni . . .		Finitura . . .		finito Kg . . .	
Data 11.05.2018		Dis. Savegnago AA		App. X	
Scalo 1:5		Numero di disegno		Revisione	
				<b>2.91.347.09</b>	
				<b>REV00</b>	

REV	Modificato o sostituito	Data	Dis	App.

A norma di legge e' rigorosamente vietato riprodurre o comunicare a terzi il contenuto del presente disegno.

## MGP

### Horizontal multi-stage close coupled pumps



#### **CONSTRUCTION**

Horizontal Multi-Stage Close Coupled Pumps

Single-piece barrel casing in cast iron, with front suction port above pumps axis and radial delivery at top. Stages in Noryl.

#### **APPLICATION**

For water supply systems.

For domestic use, for garden use and irrigation.

#### **OPERATING CONDITIONS**

Liquid temperature: 0 °C to +50 °C.

Ambient temperature up to 40° C.

Maximum permissible pressure in the pump casing: 8 bar.

Continuous duty.